



# SEATING

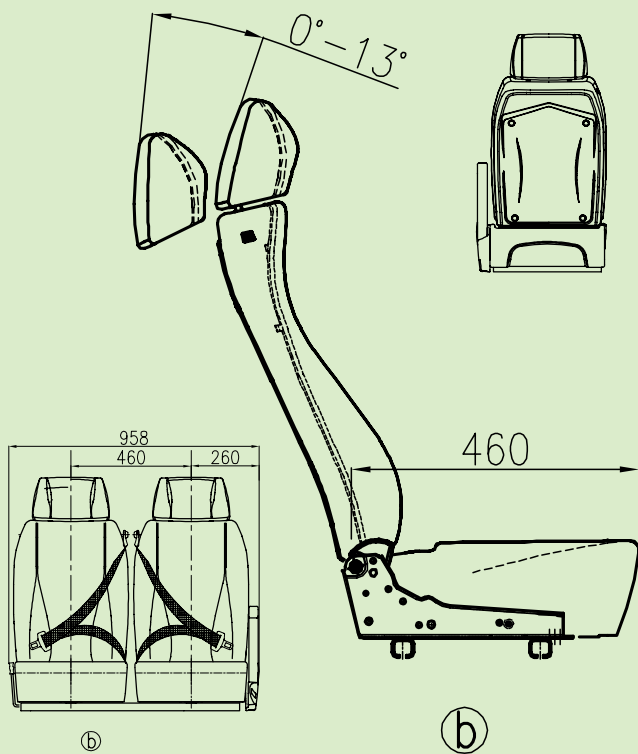
## SUBURBAN 4500





# SEATING SUBURBAN 4500

**AUTO  
TRANSFORM  
COMMERCIAL  
VEHICLES**



Suburban 4500 has been engineered to fulfil the needs of smaller passenger transport requiring more safety, durability, comfort and style. Very similar to its 4520 counterpart but with a lower back and headrests for increased visibility in smaller vehicles. Ideal for all ranges of passenger transport.

### FEATURES:

- Cloth or vinyl covered faces and plastic backing durable material
- Seatbelts – integrated over shoulder
- Fully Certified to New Zealand Safety Standards
- Reclining backrest
- Headrests
- Flexibility for various configurations
- Folding armrests

### BENEFITS:

- Less cleaning and lower maintenance
- Safety assurance with all transport
- Flexibility for various configurations with more passenger capacity
- Light weight – saves fuel costs overtime
- 3 year warranty for your piece of mind



Durable covering



Plastic backing



Reclining back rests and folding armrests



Configuration flexibility

